

## Stainless Steel-Control knobs

### SPECIFICATION

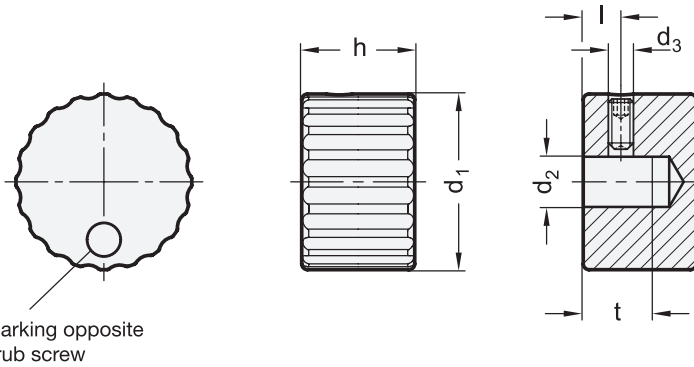
#### Types

- Type **N**: without indicator point
- Type **M**: with indicator point

Stainless Steel AISI 304  
matt shot-blasted **MT**

Indicator point (Type M)  
engraved with laser precision

Stainless Steel-Grub screw DIN 916  
with internal hexagon and serrated point



Marking opposite grub screw

### GN 436

STAINLESS STEEL

Description	d1	d2 H8	d3	h	l	t min.	Δ
GN 436-24-B5-N-MT	24	B 5	M 4	16	4	10	53
GN 436-24-B6-N-MT	24	B 6	M 4	16	4	10	52
GN 436-28-B6-N-MT	28	B 6	M 4	18	4	11	80
GN 436-28-B8-N-MT	28	B 8	M 4	18	4	11	78
GN 436-24-B5-M-MT	24	B 5	M 4	16	4	10	53
GN 436-24-B6-M-MT	24	B 6	M 4	16	4	10	52
GN 436-28-B6-M-MT	28	B 6	M 4	18	4	11	80
GN 436-28-B8-M-MT	28	B 8	M 4	18	4	11	78

